

SANI-TECH®

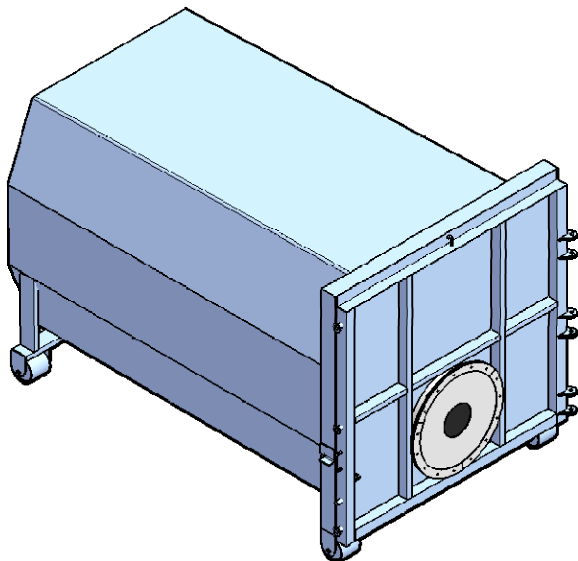


Bin Hole Reducing Diaphragm

Exclusive Patent Pending
Elastic Diaphragm used to Reduce the Bin Hole Opening



- ♦ **Virtually Eliminates Any Spillage**
- ♦ **Long Lasting**
- ♦ **Durable**
- ♦ **Sanitary**
- ♦ **Saves Time and Money with Every Haul!**



<u>Auger Nozzle Size</u>	<u>Bin Hole Diaphragm Opening</u>
<u>24" Diameter</u>	<u>9 1/2" Diameter</u>
<u>30" Diameter</u>	<u>11 1/2" Diameter</u>
<u>36" Diameter</u>	<u>14" Diameter</u>
<u>40" Diameter</u>	<u>15 1/2" Diameter</u>

NOTE: 6" Auger Nozzle Extension Required

SANI-TECH SYSTEMS • PO BOX 444 • DUVALL, WA 98019 • (425) 788-6444 • FAX (425) 844-8625