

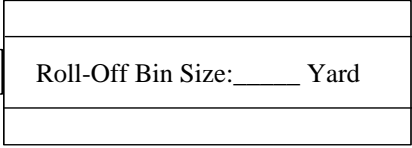
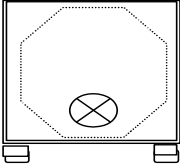
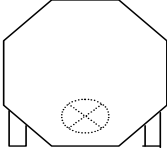

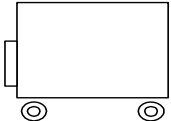
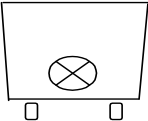
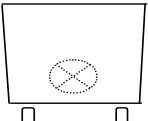


PO Box 444, Duvall, WA 98019
 Phone:(425)788-6444 - Fax:(425)844-8625

101 Bin Order Form

Customer Name: _____
 Dealer: _____
 Model #: _____
 PO #: _____

Order Date: _____
 Due Date: 6 to 8 Weeks
 Job #: _____
 Processed By: _____

TOP	FRONT	REAR
 Roll-Off Bin Size: _____ Yard		
Front Load Bin Size: _____ Yard		
 TOP	 SIDE	 FRONT
		 REAR

Auger Ring Size:	<input type="checkbox"/> 25"	<input type="checkbox"/> 31"	<input type="checkbox"/> 37"	<input type="checkbox"/> 41"	<input type="checkbox"/> None
Bin Hole Cover:	<input type="checkbox"/> Canvas	<input type="checkbox"/> Metal	<input type="checkbox"/> None		
Guides and Stops:	<input type="checkbox"/> Yes	<input type="checkbox"/> No	<input type="checkbox"/> Other: _____		
Rear Door Seal:	<input type="checkbox"/> 50%	<input type="checkbox"/> 100%	<input type="checkbox"/> Standard (No Seal)		
Fire Hose Ports:	<input type="checkbox"/> Yes (Quantity 2 or 4)		<input type="checkbox"/> None		
Rear Bypass Door:	<input type="checkbox"/> Yes	<input type="checkbox"/> No			
Drain System:	<input type="checkbox"/> Yes	<input type="checkbox"/> No			
Nose Rollers:	<input type="checkbox"/> Yes	<input type="checkbox"/> No			
Hold Downs (Ship Separate):	<input type="checkbox"/> Yes	<input type="checkbox"/> No			
Bin Color:	<input type="checkbox"/> Sani-Tech Almond <input type="checkbox"/> BFI Blue <input type="checkbox"/> Logistics Grey <input type="checkbox"/> WM Burgundy <input type="checkbox"/> WM Green <input type="checkbox"/> Other: _____				

Special Options and/or Instructions:

- Approved
- Approved as Noted
- Disapproved (REVISE)

Name: _____

Date: _____